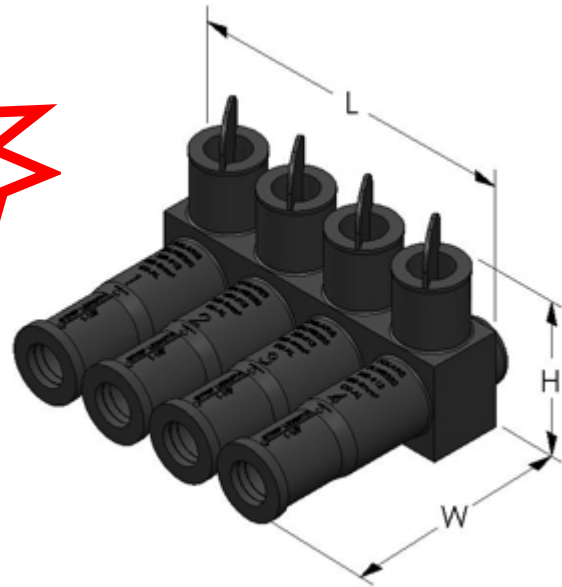
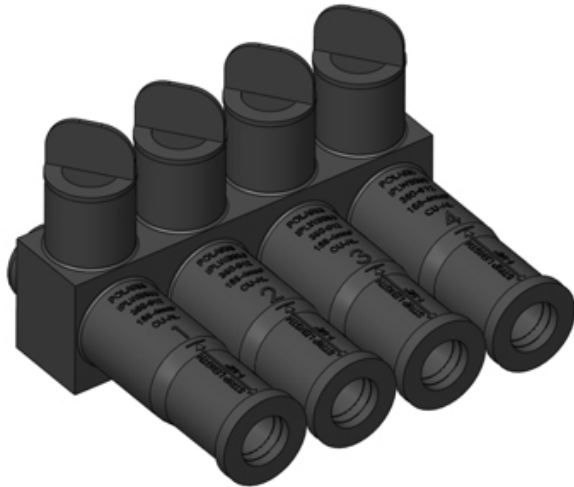


## Black Submersible Pedestal Connectors

TYPE: IPLWB

- Manufactured from high strength 6061-T6 aluminum alloy to provide premium electrical and mechanical performance
- Rated for 600 Volts
- Range Taking design reduces inventory
- Specified with radial tipped set screws to reduce conductor strand damage
- Meets or exceeds ANSI C119.4 Class A specifications
- Encapsulated in rubber with a nominal thickness of 125 mils and a dielectrics strength of 240v per mil



Catalog Number	Number of Ports	Wire Range AWG	Wire Range MM	Hex Size	Dimensions, Inches		
					H	W	L
IPLWB350-3	3	350 - 12	185 - 16	5/16	2.46	4.06	3.625
IPLWB350-4	4	350 - 12	185 - 16	5/16	2.46	4.06	4.75
IPLWB350-6	6	350 - 12	185 - 16	5/16	2.46	4.06	7.00
IPLWB500-4	4	500 - 10	240 - 25	5/16	3.13	4.58	5.63
IPLWB500-6	6	500 - 10	240 - 25	5/16	3.13	4.58	8.39
IPLWB500-8	8	500 - 10	240 - 25	5/16	3.13	4.58	11.15