

**Medium Vehicle**  
Our Medium Vehicle rated one piece trench is designed for 9,000# GVW (gross vehicle weight) traffic; cars, pickup trucks, small forklifts and other light utility vehicles.

W*	Open Bottom				Solid Bottom			
	Part Number	D=12"	D=15"	D=24"	Part Number	D=12"	D=15"	D=24"
10"	BM10D-120	1,260#	1,380#	2,080#	BMS10D-120	1,350#	1,470#	2,170#
20"	BM20D-120	1,395#	1,515#	2,225#	BMS20D-120	1,760#	1,880#	2,590#
24"	BM24D-120	1,455#	1,575#	2,270#	BMS24D-120	1,930#	2,050#	2,750#
30"	BM30D-120	1,540#	1,660#	2,355#	BMS30D-120	2,280#	2,300#	3,000#
40"	BM40D-120	1,670#	1,790#	2,500#	BMS40D-120	2,590#	2,710#	3,420#
48"	BM48D-120	1,765#	1,885#	2,595#	BMS48D-120	2,945#	3,065#	3,800#

Example: BM3024-096

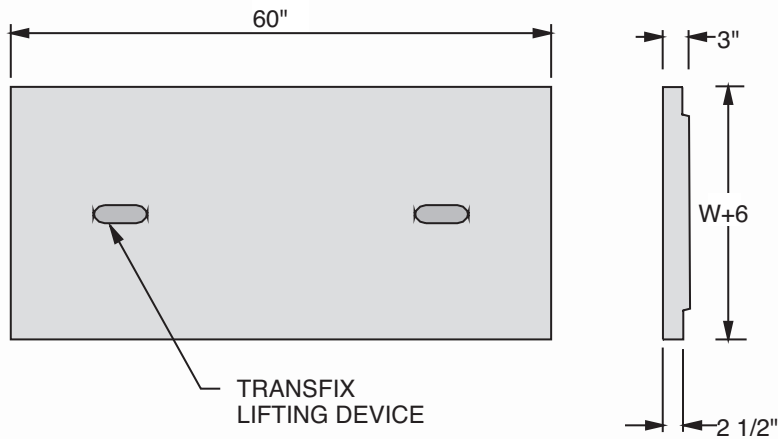
## BASES

\* W for 24" deep base is 2" narrower.

The lids are 5ft. long and come with transfix lifting devices and protective covers.

Lid length is specified by the last 2 digits.

Example: LM30-48 for a 48" long lid.



W	Part Number	Weight
10"	LM10-60	260#
20"	LM20-60	420#
24"	LM24-60	480#
30"	LM30-60	580#
40"	LM40-60	730#
48"	LM48-60	830#

## LIDS